



Manufacturer of PCB Terminal Blocks, Fuse Holders, Barrier Terminals, & Switches

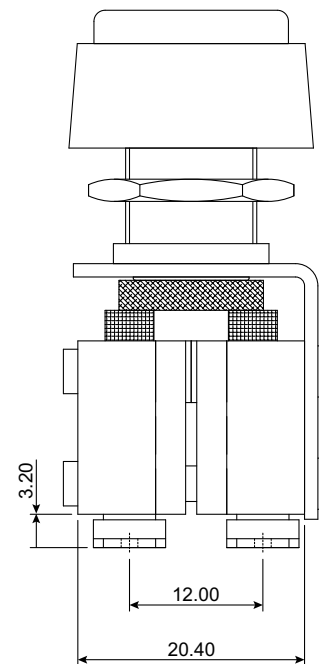
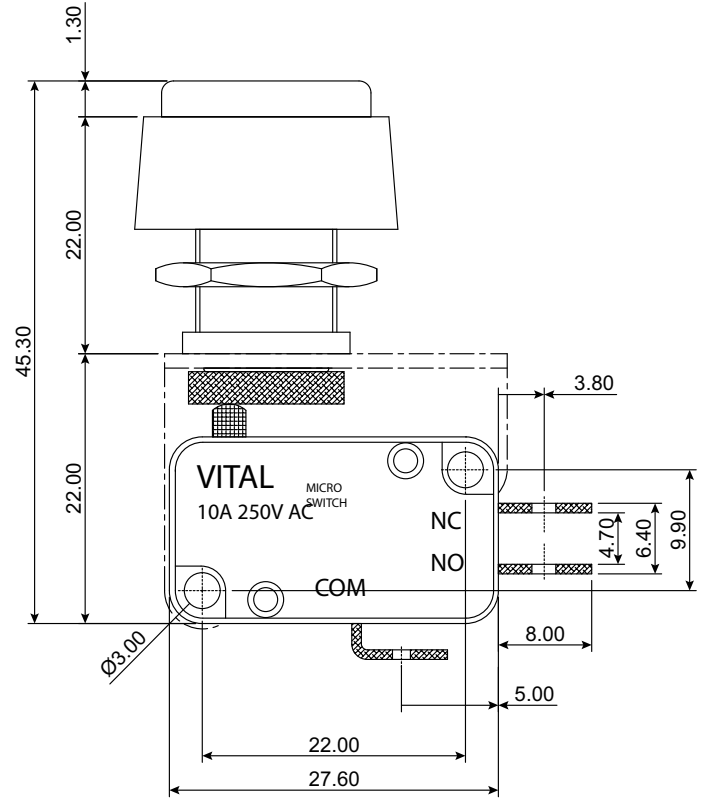
Micro Switches

**Series VMS TPB Dual**  
**Lug Type**



**TECHNICAL SPECIFICATIONS :**

<b>Moulded Material</b>	: PA66 - UL94 V0 or V2
<b>Operating Temperature</b>	: -20° C to +80°C
<b>Electrical Endurance</b>	: mA - 100k Cycles : 1 A to 4A - 10K to 20k Cycles : 10 A - 6000 Cycles (Silver Rivets)
<b>Operating Force From</b>	: 50 gms to 450 gms available : *Force reflecting basic switch only
<b>Terminals</b>	: Nickel or Tin or Silver plated Copper Alloy
<b>Standard Rivets</b>	: Electrolytic Copper/Bi-metallic Silver
<b>Contact Resistance</b>	: <20 mΩ
<b>Dielectric Strength</b>	: > 2 kV
<b>Insulation Resistance</b>	: 2000 MΩ @ 500 Vdc
<b>Screw</b>	: Brass Nickel Plated : MS Zinc plated (RoHS)
<b>Color</b>	: Black, Red, Yellow, Blue, Green
<b>Connection Type</b>	: Lug Type or Screw Type



Off/Works: 830/2, GIDC Estate, Makarpura, Vadodara- 390010

Office: +91 - 9227979802 / 4 | Sales: +91-9227979801

Email: sales@vitalelectrocomp.com | Web: www.vitalelectrocomp.com